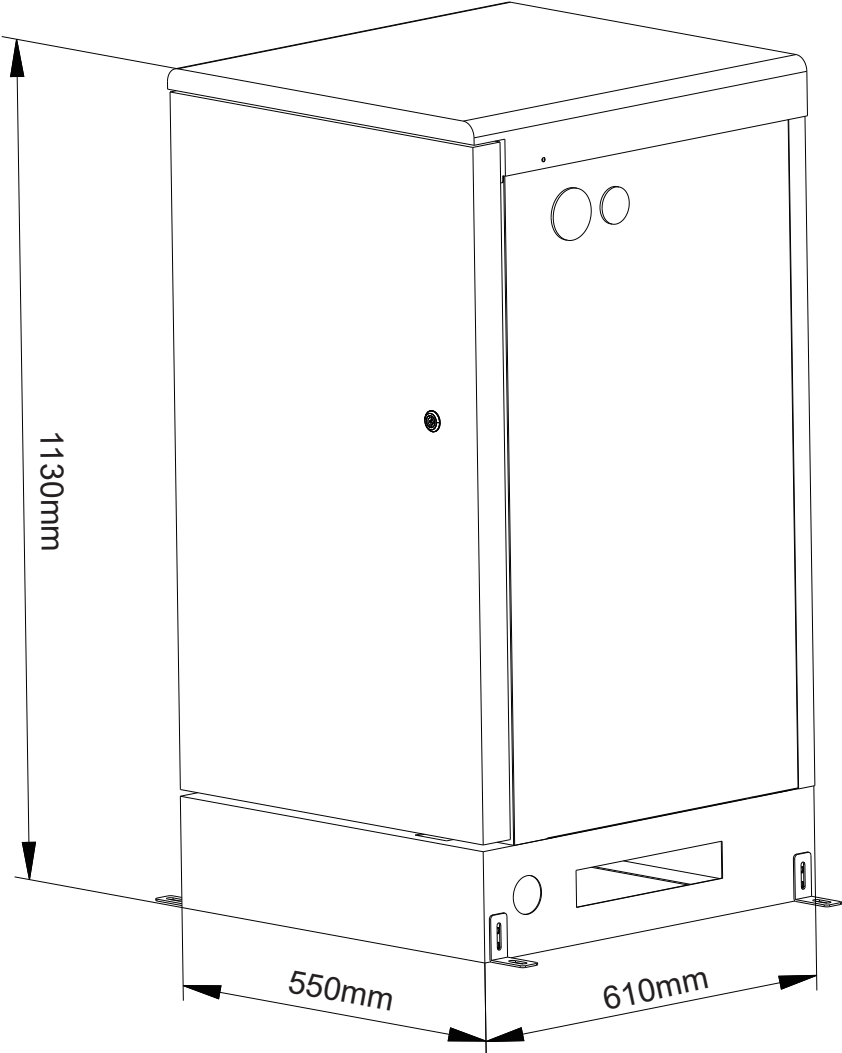


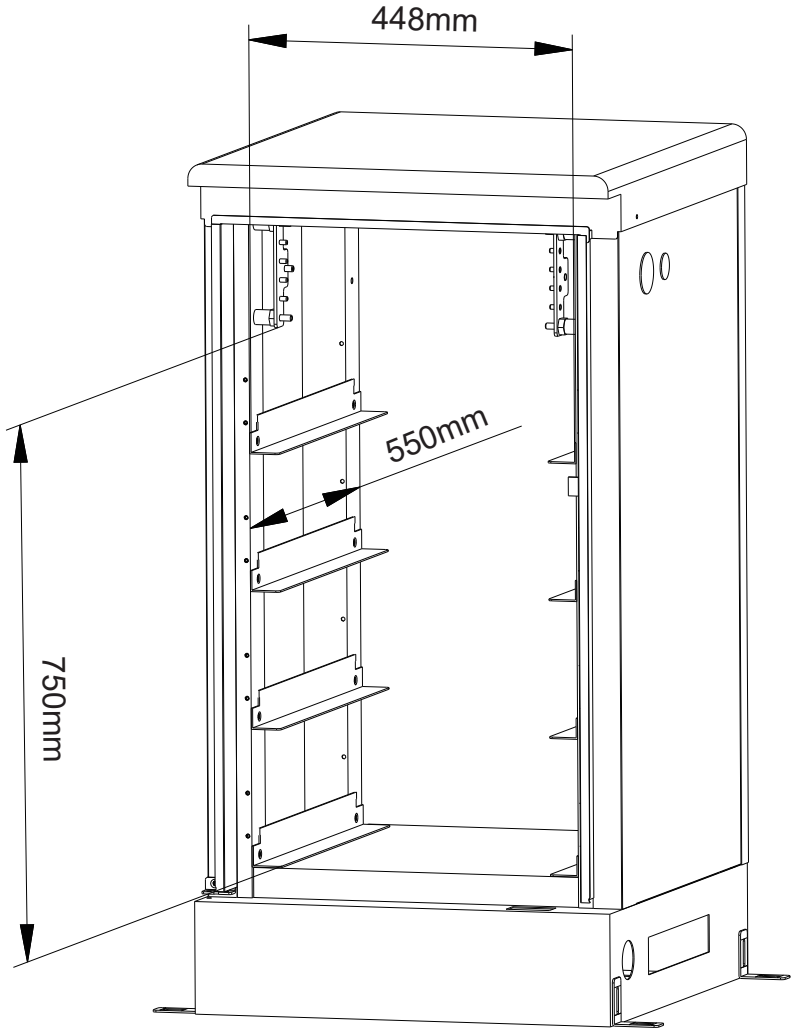


Battery Cabinet Installation Instruction

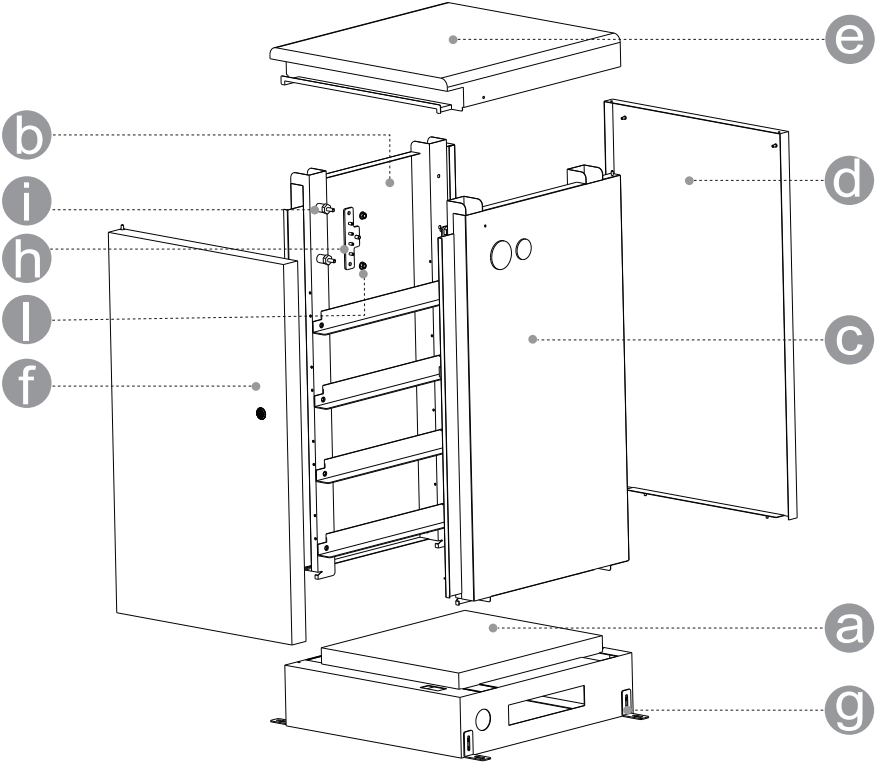
Overall size



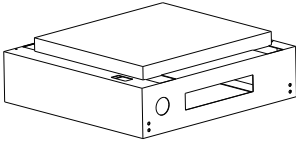
Internal size



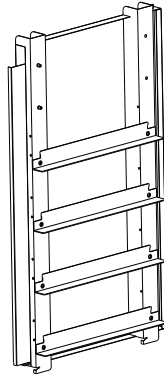
Explode drawing



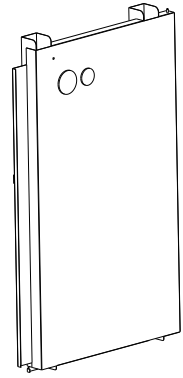
Parts List



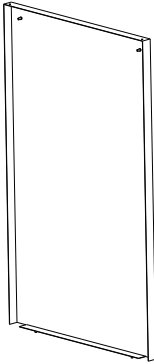
a×1



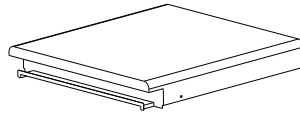
b×1



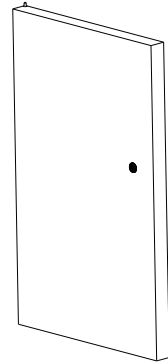
c×1



d×1



e×1



f×1



g×4



h×2



i×4



j×22
(M4)



k×8
(M6)



l×6
(M8)



m×8
(M6)



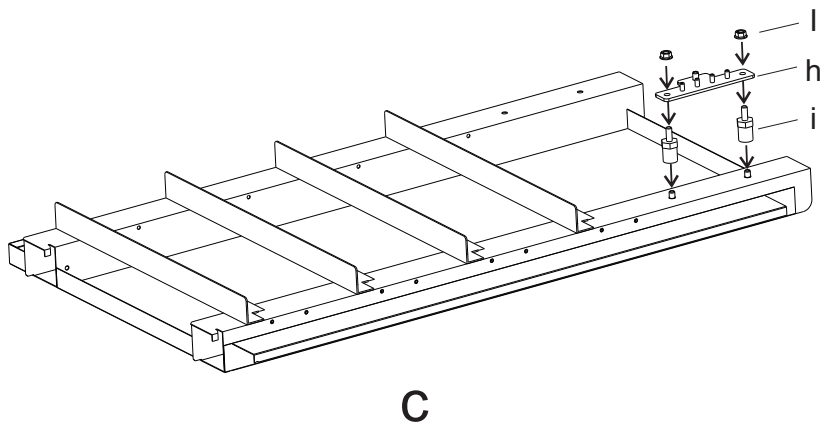
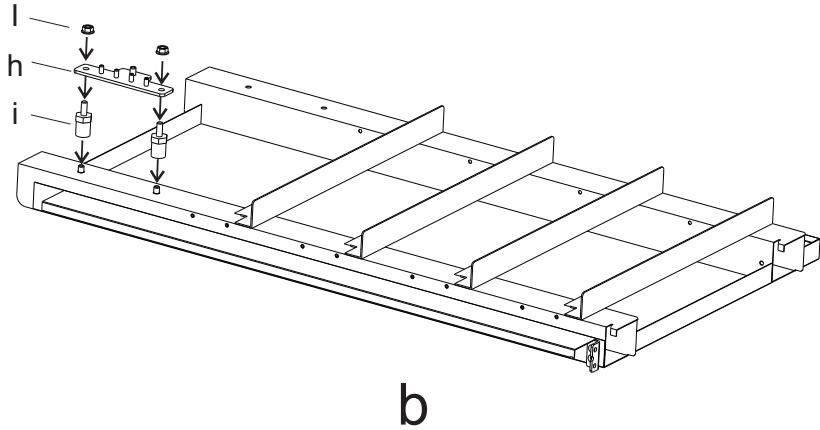
n×4

a. Base	b. Side plate (left)
c. Side plate (right)	d. Backplane
e. Cover	f. Door
g. Fixed support	h. Copper bar
i. Insulated bar	j. Bolt (M4)
k. Flange nut(M6)	l. Flange nut(M8)
m. Bolt (M6)	n. Expansion bolt

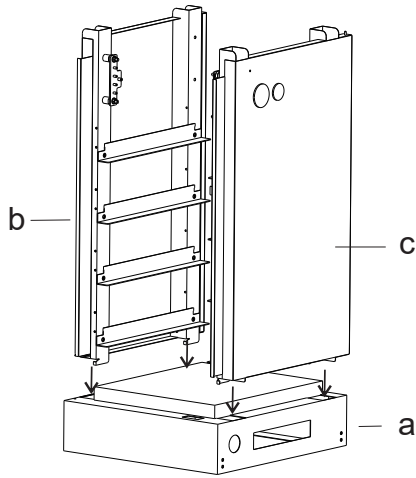
Technical Data

Model	SE-G5.1Pro-B-BC
IP Rating of Enclosure	IP54
Bearing Capacity	≤250KG
Weight Approximate	51KG
Dimension (W/D/H, mm)	575×610×1130mm
Altitude	≤3000m
Recommended Operating Temperature	-20~+55℃
Product standard	UL2416,UL60950-1,ELA-310E
Warranty	10 years
Color	White (RAL9016)
Material	SECC

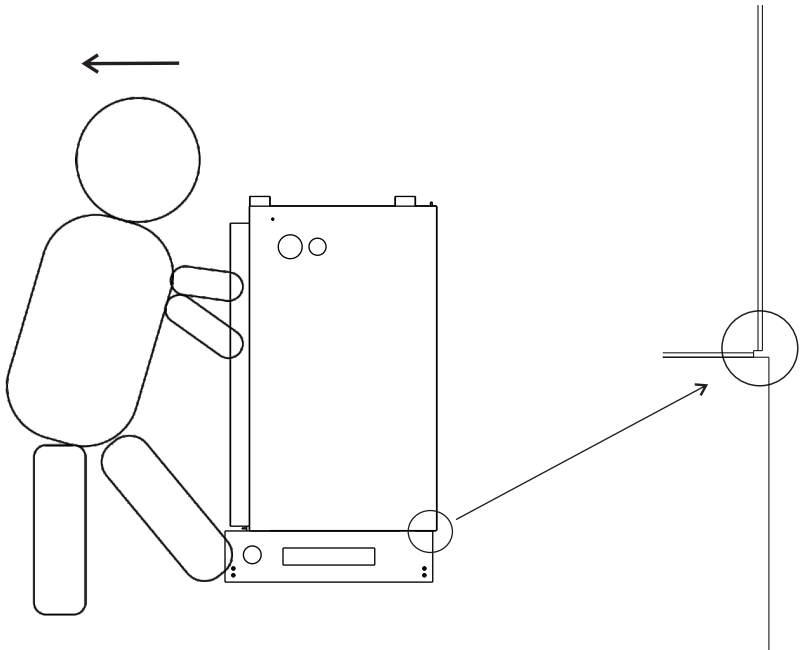
Installation Step 1



Installation Step 2

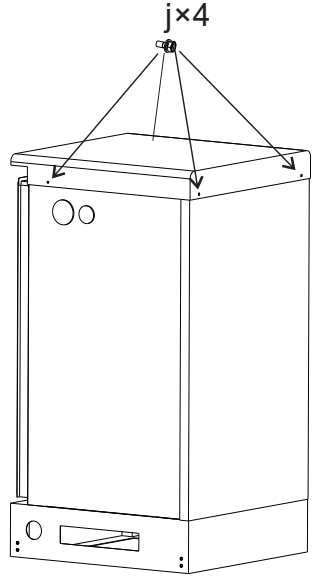
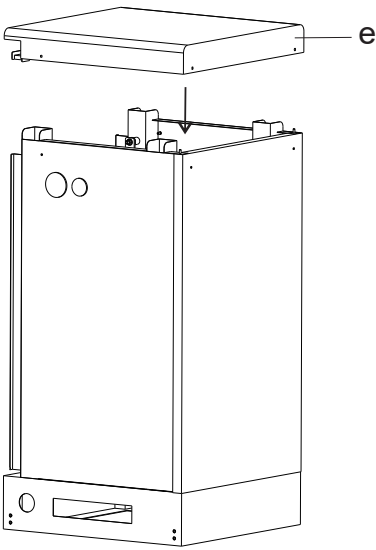
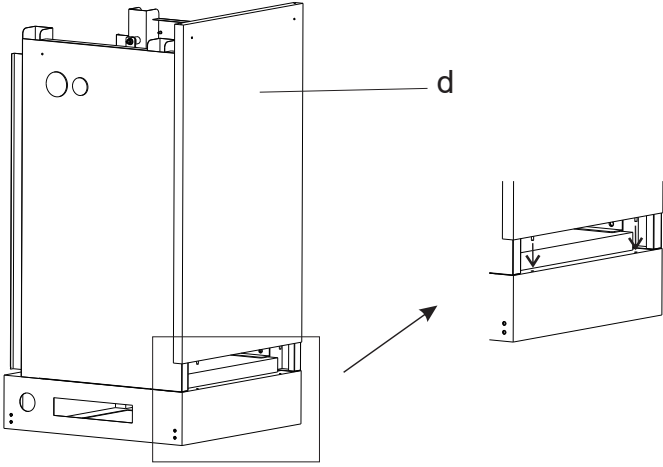


Insert b and vertically into the corresponding space in a.



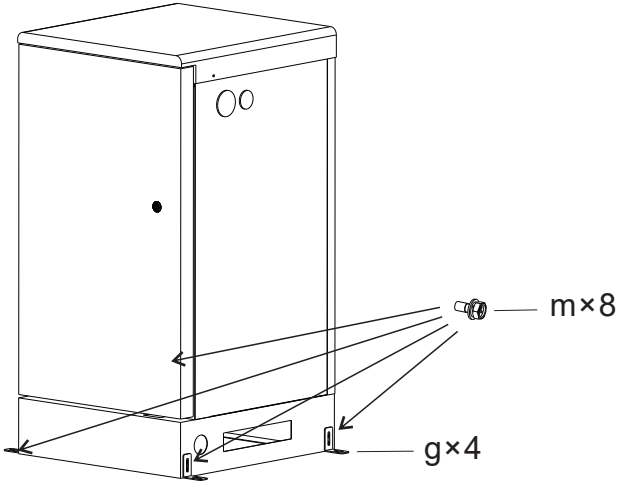
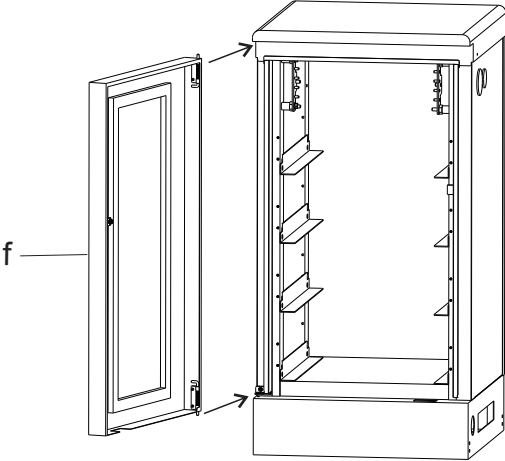
Then pull b and c in the shown direction (to the left as in the picture).

Installation Step 3



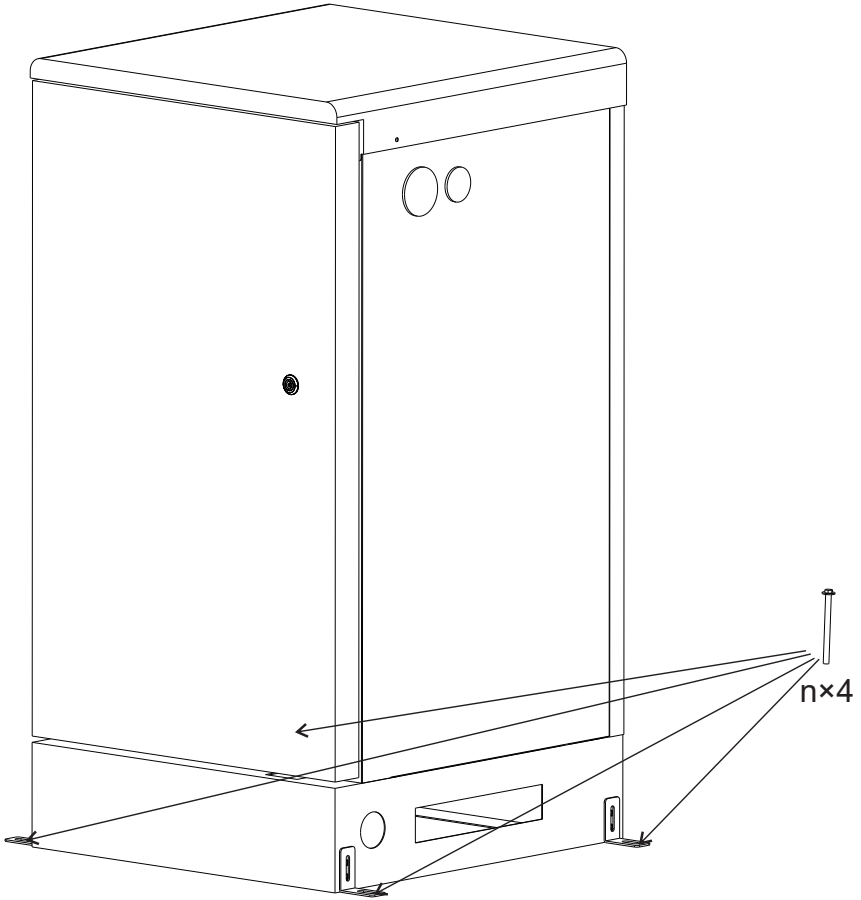
Twisting force keep 1.5NM.

Installation Step 4



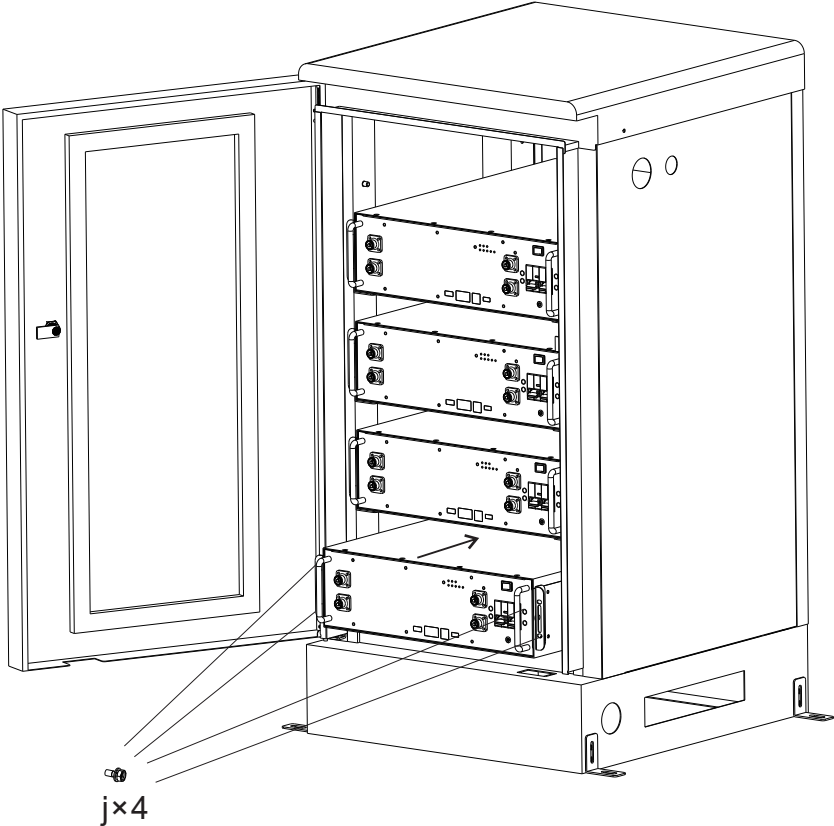
Twisting force keep 6NM.

Installation Step 5



Twisting force keep 6NM.

Installation Step 6



Twisting force keep 1.5NM.